

Cam rollers

for cam roller linear guide rails GN 2422

SPECIFICATION

Types

- Type **B**: Roller with bore
- Type **N**: Normal roller with centered bearing mounting point
- Type **E**: Eccentric roller with eccentric bearing mounting point

Roller

- Anti-friction bearing steel, hardened
- Dust and splash water protected
- permanent lubrication

Sealing disc

Plastic NBR **2RS**

Bearing pivot

Steel zinc plated, blue passivated



INFORMATION

Cam rollers GN 2426 are combined with cam roller linear guide rails GN 2422 (see page 654) to build individual and space-saving linear guide rail systems.

Outer rim surfaces of the rollers are slightly convex, so that in conjunction with the correspondingly-shaped bearing rails (Type XT or XV) there is an accurate and smooth run across four contact points. The same applies to floating bearing rails (Type UT or UV), but with only two contact points.

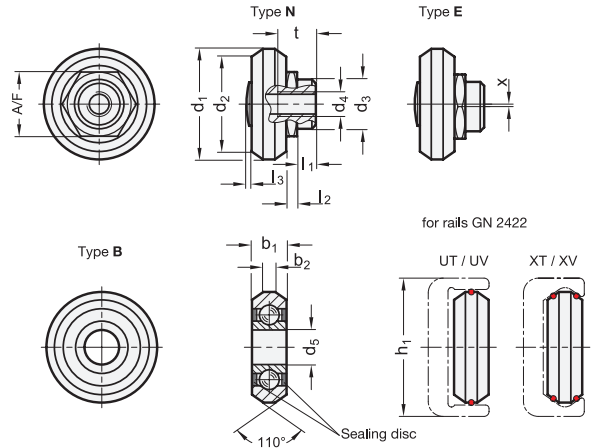
Combined with the rail, clearance freedom or the initial tension of several rollers can be determined during assembly by using the adjustable eccentric roller (Type E). The required open-end wrench GN 2424.1 (see page 656) is available separately.

The sealed and permanently lubricated rollers guarantee long service life and superior running performance.

- Linear guide rail systems (see page 660)

ON REQUEST

Sealing discs, sheet metal profile with gap seal (2Z)



GN 2426

Description	h1	b1	b2	d1	d2	d3 -0.05	d4	d5 -0.008	l1	l2	l3 max.	A/F	t	x	△
GN 2426-18-B-2RS	18	4	1.6	14	12.4	-	-	5	-	-	-	-	-	-	4
GN 2426-28-B-2RS	28	7	2.4	22.4	19.2	-	-	7	-	-	-	-	-	-	13
GN 2426-35-B-2RS	35	7.5	3.3	28	25.1	-	-	8	-	-	-	-	-	-	23
GN 2426-43-B-2RS	43	11	5	35	30.8	-	-	10	-	-	-	-	-	-	63
GN 2426-18-E-2RS	18	4	1.6	14	12.4	6	M 4	-	1.8	1.5	0.5	8	5	0.4	4
GN 2426-28-E-2RS	28	7	2.4	22.4	19.2	10	M 5	-	3.8	2.2	0.6	13	8	0.5	17
GN 2426-35-E-2RS	35	7.5	3.3	28	25.1	12	M 5	-	4.2	2.5	0.7	15	9	0.7	32
GN 2426-43-E-2RS	43	11	5	35	30.8	12	M 6	-	4.3	2.5	0.7	15	11	0.8	63
GN 2426-18-N-2RS	18	4	1.6	14	12.4	6	M 4	-	1.8	1.5	0.5	8	5	0.4	4
GN 2426-28-N-2RS	28	7	2.4	22.4	19.2	10	M 5	-	3.8	2.2	0.6	13	8	0.5	17
GN 2426-35-N-2RS	35	7.5	3.3	28	25.1	12	M 5	-	4.2	2.5	0.7	15	9	0.7	32
GN 2426-43-N-2RS	43	11	5	35	30.8	12	M 6	-	4.3	2.5	0.7	15	11	0.8	63